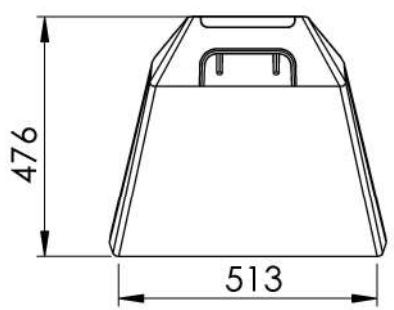
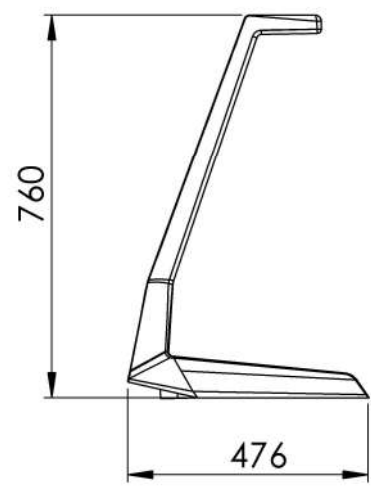
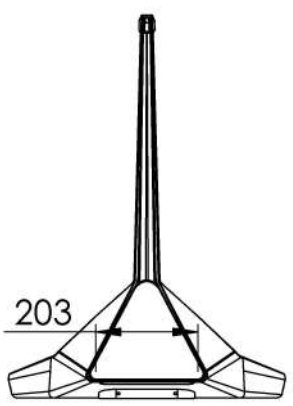


6 5 4 3 2 1

D  
C  
B  
A

D  
C  
B  
A



UNLESS OTHERWISE SPECIFIED: DIMENSIONS ARE IN MILLIMETERS SURFACE FINISH: TOLERANCES: LINEAR: ANGULAR:				FINISH:		DEBURR AND BREAK SHARP EDGES		DO NOT SCALE DRAWING		REVISION	
								TITLE: Teollisuusroskaviskain			
								DWG NO. Mittakuva			
								SCALE:1:15		SHEET 1 OF 1	
DRAWN		NAME		SIGNATURE		DATE					
CHK'D						4.8.2021					
APPV'D											
MFG											
Q.A								MATERIAL:			
								WEIGHT:			

6 5 4 3 2 1

A4